

BZC-V2 Series

Micro Switch



Overview

The new BZC series micro switch is a low-cost detection component. The switch is durable and available with various actuators and wiring methods, suitable for various industrial control applications.

Features

- High-temperature resistant phenolic plastic housing
- Sensitive differential travel
- Precise operational repeatability
- Extremely long mechanical lifespan
- Certified by CCC and CE

Applications

- Machine tools
- Elevators
- Automobile production lines
- Civil and industrial machinery
- Any automation application in the field of automation

Technical Specifications

Operating Frequency	Mechanical: 240 ops/min; Electrical: 20 ops/min
Lifespan	Mechanical: 1,000,000 operations; Electrical: 500,000 operations
Rated Voltage and Current	15A@250VAC
Operating Voltage	600VAC
Environmental Humidity	-20°C to +80°C (-4°F to 176°F)
Withstand Voltage	2,500VAC 50/60Hz (For 1 min)

Operational Characteristics Definitions

OF: Operating Force	PT: Pre-Travel
RF: Release Force	MD: Movement Differential
OT: Over-Travel	OP: Operating Position
TT: Total Travel	PO: Position Off

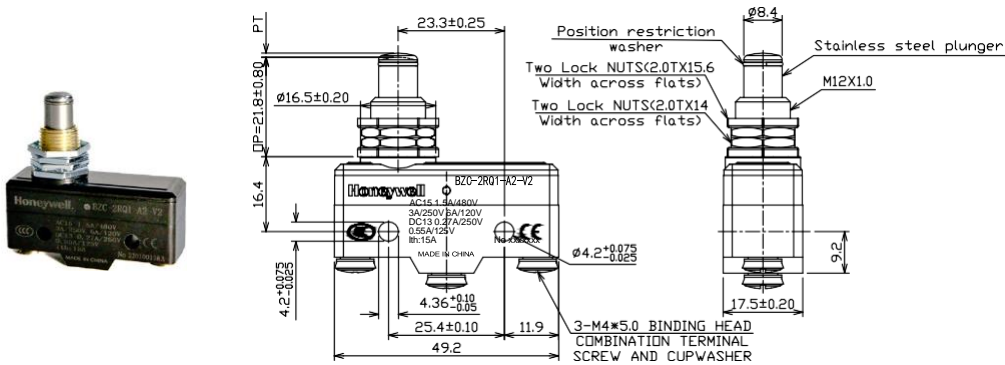
Selection Guide

BZC	2R			A2	V2	
BZC Series: Micro switch	Actuator			Wiring Terminals		
	2R	Plunger	2RQ18	Panel mount roller plunger	2RW80	Lever
	2RD	Spring plunger			2RW876T	Short lever
	2RL	Reed	2RQ181	Panel mount roller plunger	2RW82	Roller lever
	2RL2	Roller reed			2RW822	Roller short lever
	2RQ1	Panel mount plunger	2RS	Fine plunger with reed	2RW286	Single direction roller short lever
					A2	3 terminals at the bottom

Dimensions

(in mm)

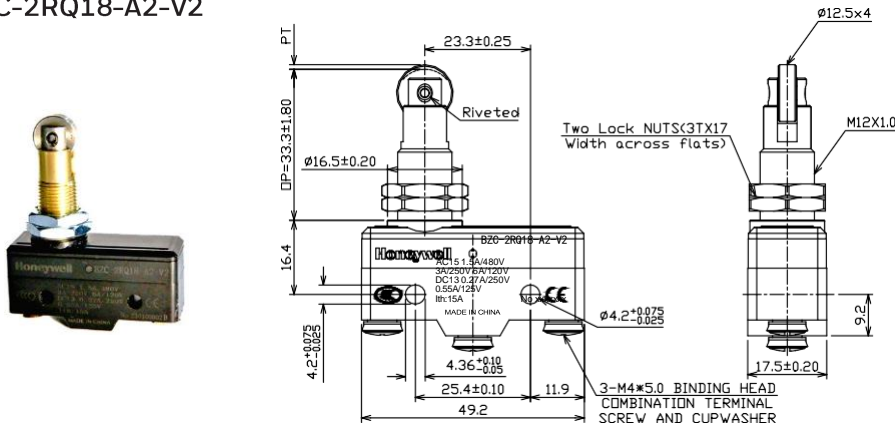
BZC-2RQ1-A2-V2



Operational Characteristics

OF _{max}	3.61N
RF _{min}	1.11N
PT _{max}	0.4mm
OT _{min}	5.56mm
MD _{max}	0.05mm
OP	21.8±0.8mm

BZC-2RQ18-A2-V2



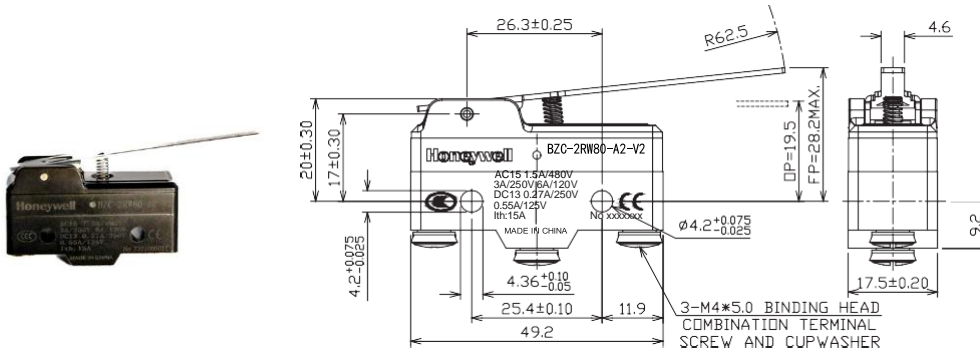
Operational Characteristics

OF _{max}	3.61N
RF _{min}	1.11N
PT _{max}	0.4mm
OT _{min}	3.6mm
MD _{max}	0.05mm

Dimensions

(in mm)

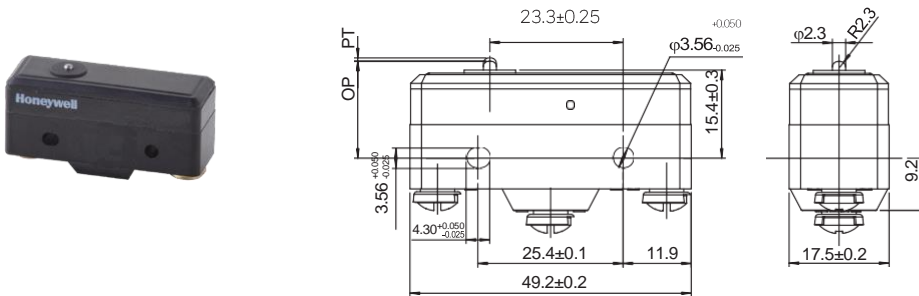
BZC-2RW80-A2-V2



Operational Characteristics

OF _{max}	0.69N
RF _{min}	0.14N
PT _{max}	5.6mm
OT _{min}	2mm
MD _{max}	28.2mm
OP	19.05±0.8mm

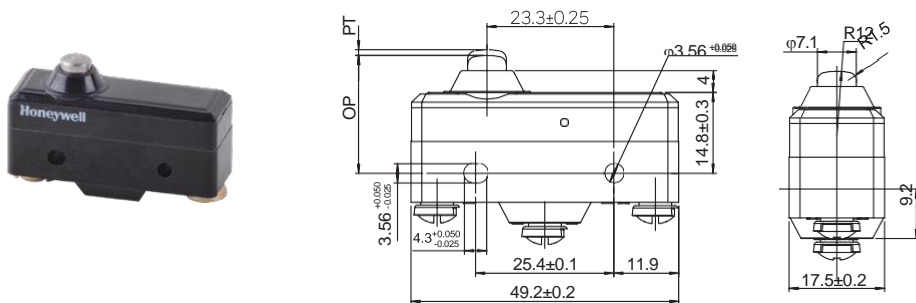
BZC-2R-A2-V2



Operational Characteristics

OF _{max}	3.61N
RF _{min}	1.11N
PT _{max}	0.4mm
OT _{min}	0.13mm
MD _{max}	0.05mm
OP	15.9±0.4mm

BZC-2RD-A2-V2



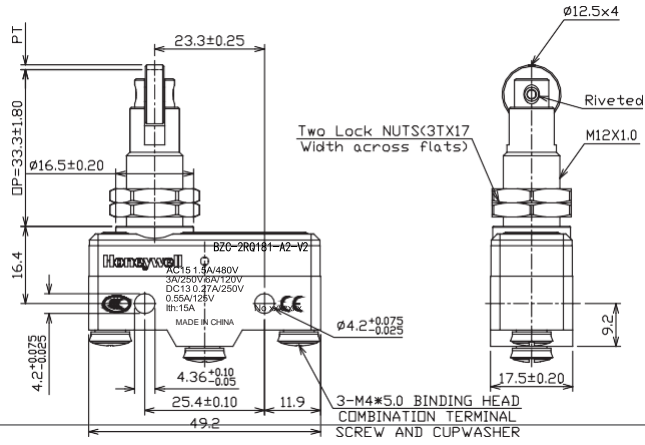
Operational Characteristics

OF _{max}	3.61N
RF _{min}	1.11N
PT _{max}	0.4mm
OT _{min}	1.52mm
MD _{max}	0.05mm

Dimensions

(in mm)

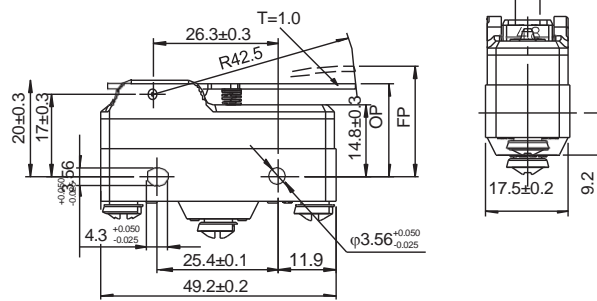
BZC-2RQ181-A2-V2



Operational Characteristics

OF _{max}	3.61N
RF _{min}	1.11N
PT _{max}	0.4mm
OT _{min}	3.6mm
MD _{max}	0.05mm
OP	33.3±1.8mm

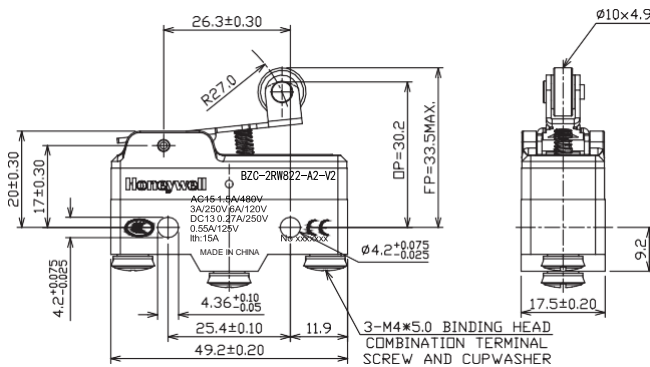
BZC-2RW876T-A2-V2



Operational Characteristics

OF _{max}	1.03N
RF _{min}	0.21N
PT _{max}	3.7mm
OT _{min}	0.85mm
MD _{max}	24.5mm
OP	19.05±0.5mm

BZC-2RW822-A2-V2



Operational Characteristics

OF _{max}	1.67N
RF _{min}	0.42N
OT _{min}	2.4mm
MD _{max}	0.8mm
FP _{max}	32.5mm
OP	30.2±0.4mm